

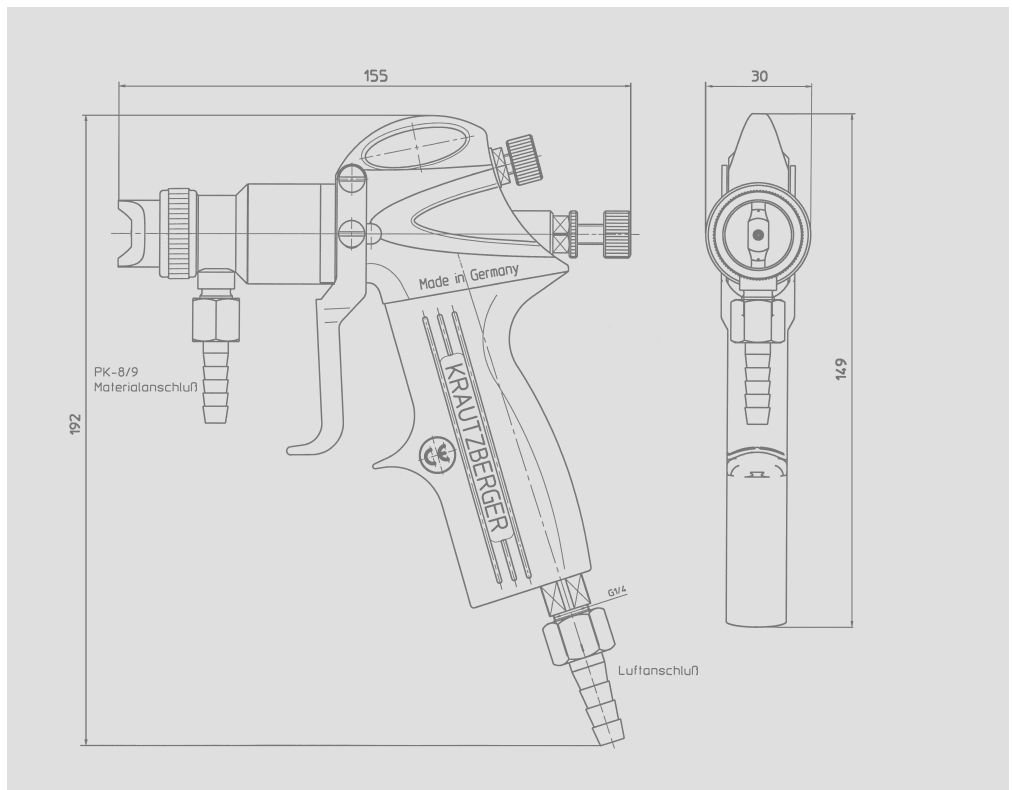
Mignon 3
Suction feed

The Mignon 3 is a high-performance all-round spray gun meeting the highest standards. The ergonomically shaped handle is made of a lightweight, solvent-resistant plastic. The main element is made of surface-finished, forged aluminium.

One of the special features of the Mignon 3 is the detachable head section of the gun. This section is made of stainless steel and is also available in aluminium design on request. This version is designed for use with water borne paints.

Material volume regulation via the needle stroke adjuster with lock nut permits fine, stepless adjustment. The separate stepless flat jet regulator is mounted on the rear of the pistol and therefore ideal for use by both right-handed and left-handed operators.

The material nozzle system is made of stainless steel. The generously dimensioned air ducts ensure improved air distribution and optimum spraying characteristics.



Dimensions	155 x 30 x 165 mm (length x width x height) Without cup and air connection nipple		
Weight	435 g incl. 250 ml aluminium materialcup		
Air consumption	Air pressure	Circular jet	Circular + flat jet (measured with DN6 hose)
	3 bar	225 NI/min	300 NI/min
	4 bar	280 NI/min	380 NI/min
	5 bar	335 NI/min	465 NI/min

Parts in contact with the coating substance

The parts of the spray gun that come into contact with the coating material are made of aluminium or stainless steel (head section) and stainless steel (material needle and nozzle) as well as brass and plastic (gaskets); the gravity cups are made of aluminium, copper or plastic.

Special accessories

Nozzle extensions: these are particularly suitable for use when coating cavities (e.g. pipes, canisters, tins or other containers).

Technical data

Operating pressures / Operating temperature

Max. material pressure: 0.4 MPa (4 bar)
 Max. material temperature (8 hrs contin. duty): 43 °C
 Max. atomiser air pressure: 0.6 MPa (6 bar)
 Max. air temperature: 43 °C

Connections

Flow connection: M 12 x 1.5 IG
 Atomiser air: hose NW 8/9 mm or G1/4 AG

Weight

without material cup approx. 350 g

Noise emission

Contin. sound pressure level, nozzle-dependent: 73 to 96 dB (A)



Pistol body / Parts in contact with coating substance	Stainless steel		Aluminium											
	+	x	0.20	0.30	0.40	0.50	0.65	0.80	1.00	1.20	1.50	1.80	2.00	2.50
Air nozzle / Brass, nickel-plated / mm														
Rotary jet "D"	-	-	-	-	-	-	x	x	x	x	x	x	x	x
Flat / Circular	-	x	-	x	x	x	x	x	x	x	x	-	-	-
Flat / Circular "B"	-	+	-	+	+	+	+	+	+	-	-	-	-	-
Flat / Circular "BE"	-	-	-	-	+	-	-	-	-	-	-	-	-	-
Flat / Circular "DC"	-	-	-	-	-	-	-	-	x	-	-	-	-	-
Flat / Circular "MC" (Standard)	-	x	-	x	x	x	x	x	x	x	x	-	-	-
Flat / Circular "S"	-	-	-	-	-	-	-	-	-	-	x	-	-	-
Flat / Circular "T"	-	x	-	x	x	-	x	-	-	-	-	-	-	-
High-cone rotary jet	+	+	+	+	+	+	+	+	+	+	+	+	+	+
Circular jet "R"	-	x	-	x	x	x	x	x	x	x	x	x	x	x
Full-cone rotary jet	+	+	+	+	+	+	+	+	+	+	+	+	+	+
Full-cone rotary jet VD 6	x	x	x	x	x	x	x	x	x	x	x	x	x	x
Full-cone rotary jet VD 8	x	x	x	x	x	x	x	x	x	x	x	x	x	x
Air nozzle / Stainless steel / mm														
Circular jet "R"	-	+	-	+	+	+	+	+	+	+	+	+	+	+
Material nozzle / Stainless steel / mm														
Rotary jet "D"	-	-	-	-	-	-	x	x	x	x	x	x	x	x
Rotary jet "HD"	-	+	-	+	+	+	-	-	-	-	-	-	-	-
Rotary jet "VD"	+	+	-	+	-	+	+	+	+	+	+	-	-	-
Flat / Circular "FL" (Standard)	x	x	-	x	x	x	x	x	x	x	x	x	-	-
Circular jet "R"	x	x	x	x	x	x	x	x	x	x	x	x	x	x
Material nozzle / Stainless steel, hardened / mm														
Rotary jet "D"	-	-	-	-	-	-	+	+	+	+	+	+	+	+
Flat / Circular "FL"	x	+	-	+	x	+	+	+	+	+	+	-	-	-
Circular jet "R"	+	+	-	+	-	+	+	+	+	+	+	-	-	-
Material nozzle / POM / mm														
Circular jet "R"	-	-	-	-	-	-	+	-	-	-	-	-	-	-
Material needle / mm														
Stainless steel (Standard)	x	x	-	x	x	x	x	x	x	x	x	x	x	x



Material connection					
Hose nozzle	Brass, nickel-pl.				
PK 8/9	x				
Air connection					
Hose nozzle	Brass	Brass, nickel-pl.	Stainless steel		
DN 6/7 with union nut G1/4" IG	+	+	+		
DN 8/9 with union nut G1/4" IG	+	x	+		
Rapid-fix coupling					
	DN 6/7	DN 8/9	G 1/4" IG		
Size 9 G 1/4" IG	+	-	-		
Size 11 G 1/4" IG	+	+	+		
Air control valve with pressure gauge and union nut					
Air control valve	G 1/4" IG				
	+				
Fast screw connection					
	Brass	Brass, nickel-pl.	Stainless steel	Aluminium	PA
PK 6	+	+	+	+	+
PK 8	-	+	+	-	+
Reducing nipple					
	G 1/8" AG				
G 1/4" IG	+				
Needle packing					
	PTFE / Ekonol	UHMW	Viton		
	x	x	x		